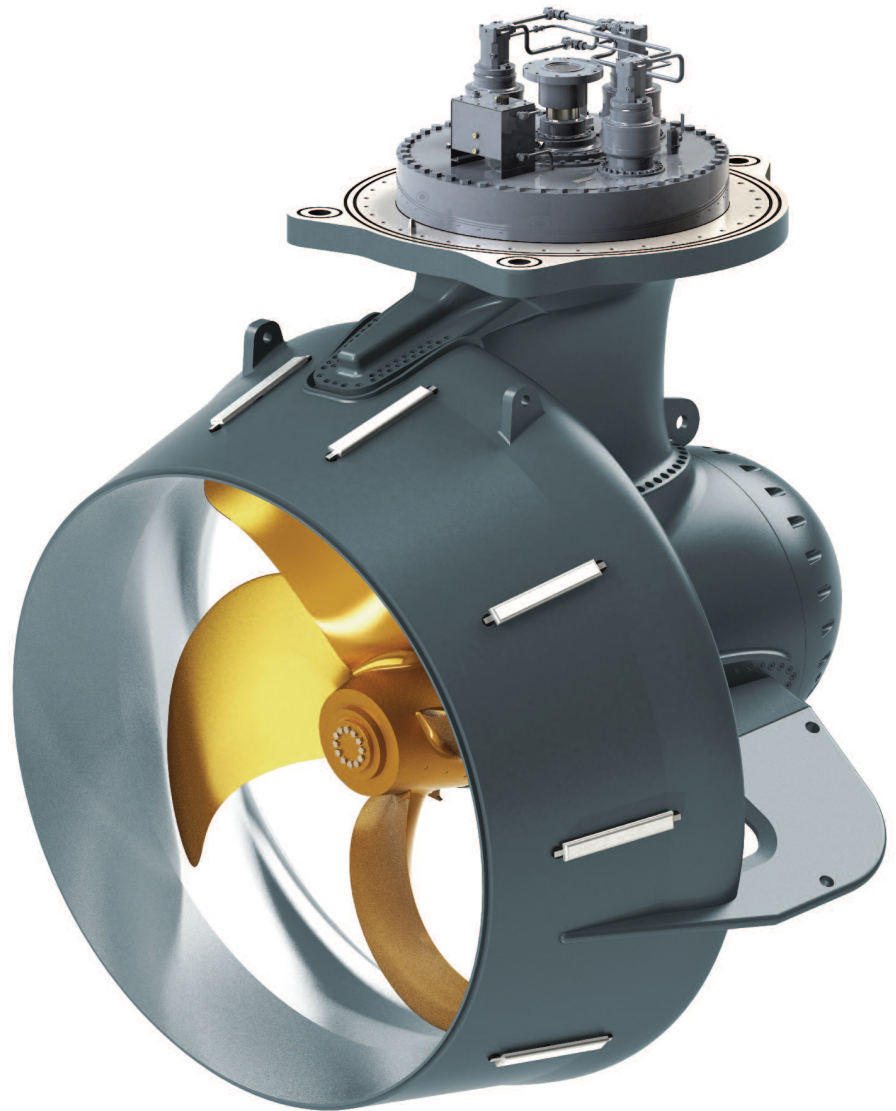




SCHOTTEL SRP 9000 LSU

OFFSHORE INTELLIGENCE



	Power* [kW]	Diameter [m]	rpm [min ⁻¹]	Weight** [t]
SRP 9000 LSU	4800 – 5500	4.10	720	75

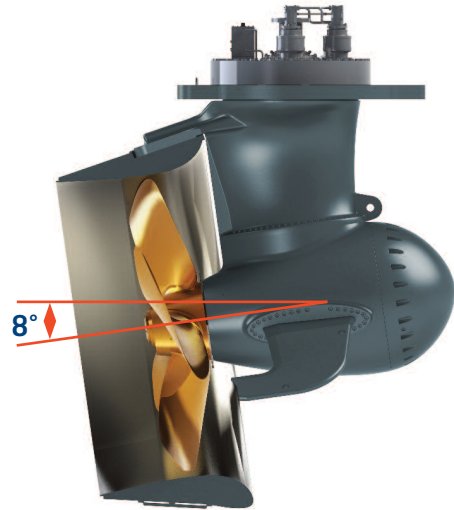
* Indicated powers depending on vessel type, operation profile, specific use and classification
** Weight incl. Oil

For further underwater mountable units see SCHOTTEL Standard Types brochure.

CUSTOMER ORIENTED UNDERWATER MOUNTABLE THRUSTER

SRP 9000 LSU for offshore applications

- For offshore vessels and rigs of all kinds
 - Tilted propeller shaft (82°) to minimise any thruster interaction
 - Standard (90°) arrangement for optimised vessel propulsion
- Hydrodynamically optimized structure of the thruster for high bollard pull and high free running efficiency
- Robust and reliable bevel gear design of highest industrial standards
- Proven design of bearings
- Latest design of sealings including „SCHOTTEL Leakage Control System“
- Condition monitoring with „SCHOTTEL Condition Monitoring System“
- Easy mounting and dismantling thanks to innovative solutions



Tilted propeller shaft



Standard arrangement